

7-1/2" Digital Timer / Temperature Control Single Belgian Waffle Maker

Item: 40304
Model: CE-CN-0190

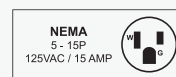


Elevate Your Breakfast: Perfect Waffles Every Time with Omcan Heavy-Duty Belgian Waffle Maker!

Offer mouth-watering waffles with our Omcan Single Belgian Waffle Maker designed with heavy-duty cast iron grid which provides excellent results when making tasty and authentic waffles. Its robust and efficient design makes it a great asset for any kitchen, particularly suited for diners, cafes, and hotel breakfast bars.

FEATURES:

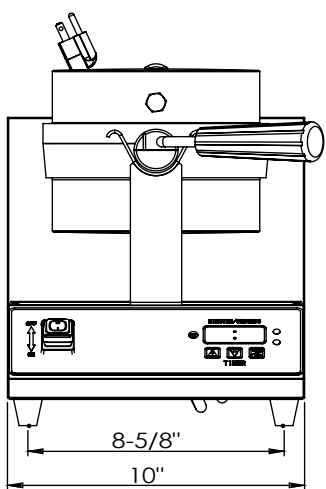
- ✓ Durable stainless steel structure
- ✓ On/ off switch with power & preheating indicators.
- ✓ Stacked, compact design for high output and minimal footprint.
- ✓ Made from durable 304 stainless steel and cast aluminum plates.
- ✓ Intuitive digital timer and temperature control are programmable and easy to use.



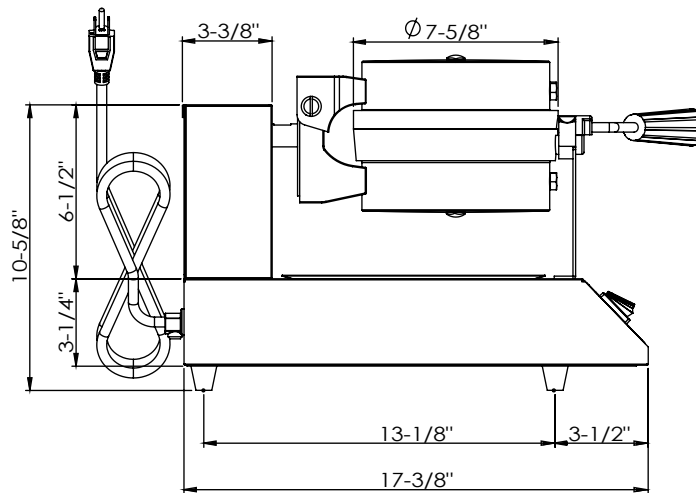
TECHNICAL SPECIFICATION

Item	40304
Model	CE-CN-0190
Output (per hour)	20 waffles
Power	1100W
Electrical	120V / 60Hz / 1Ph
Time Range	0'00" - 99'59"
Temperature Range	123.8°C - 230°C (255°F - 446°F)
Net Dimensions (WDH)	10.03" x 17.32" x 12.59" (255 x 440 x 320 mm)
Gross Dimensions (WDH)	12" x 20" x 14" (305 x 508 x 355.6 mm)
Net Weight	22 lbs. (9.97 kg)
Gross Weight	24 lbs. (10.8 kg)

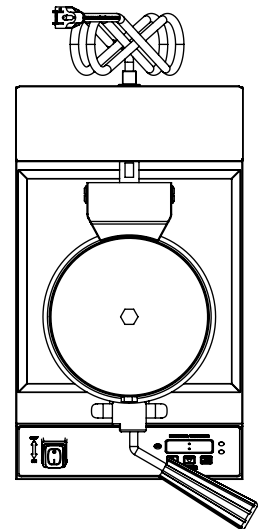
TECHNICAL DRAWINGS



Front



Side



Top